

## AFA-Air flow monitor



The AFA is an air flow monitor and alarm intended for use in checking the operation of air flow cabinets, it gives a light and sound alarm if the flow rate falls or ceases.

Efficient monitoring requires that in a fault condition the spread of dangerous gases or substances into the laboratory or working area is prevented or minimised.

The AFA flow monitor is compact and easy to install. It may be installed in either a horizontal or vertical position, and the measurement head may be either internal or external so it can be installed anywhere.

The AFA air flow monitor has a front panel indicator light with an alarm acknowledgement push button and internal buzzer and alarm relay.

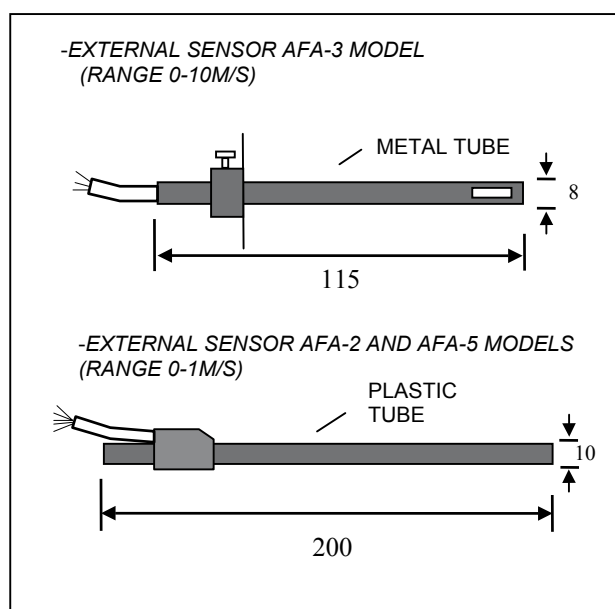
The power supply can be a normal mains power outlet converter 230 /9V, or a low voltage industrial supply 24 VDC input.

When delivered the unit is ready for immediate use, and normal maintenance only requires that the measurement head is checked and that it is kept clean.

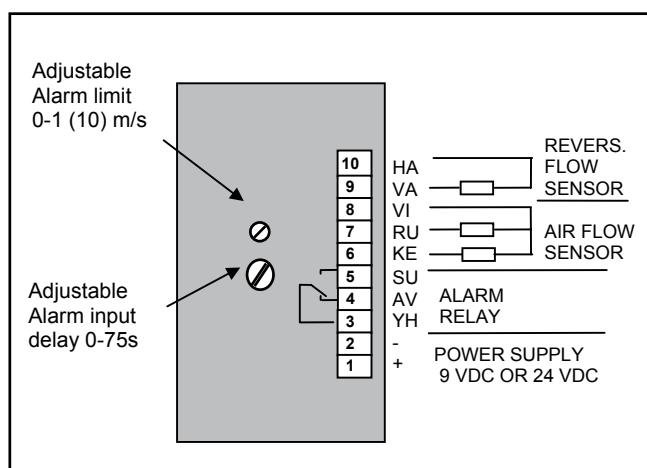
### TECHNICAL INFORMATION

Measurement range	0-1 (10) m/s
Precision	+/- 3 % from set limits
Temp. Dependence	0,1% / °C
Measurement drift	Max. 0,2 % / month Max. 1 % / year
Alarm limit adjust range	Whole measurement range
Alarm limit hysteresis	5 % of set value
Alarm delay setting	0...n. 75 s
Alarm reconnection	approx. 10 min ( or approx. 1 min)
Reverse flow detection	Flashing alarm light (option)
Alarm transfer	Closing relay contact, Max. 48 V 1A (res.)
Alarm buzzer	Min 77 dBA 10 cm
Power supply	9 VDC or 24 VDC +/- 10 %
Power consumption	Max. 1 W, norm. 0,5 W
Operating temperature	10...45 °C
Dimensions	70 x 121 x 25 mm (w x h x d)
Sensor chemical resistance	Resists chemicals and dirt in the air

### CONSTRUCTION



### LIMIT AND DELAY SETTINGS, CONNECTIONS



### ORDERING INFORMATION

BASIC UNITS	
<b>AFA-1</b>	Air flow monitor internal sensor
<b>AFA-2</b>	Air flow monitor external sensor
<b>AFA-3</b>	Air flow monitor external sensor, range 0-10 m/s
<b>AFA-4</b>	Air flow monitor internal sensor + reverse flow alarm
<b>AFA-5</b>	Air flow monitor external sensor + reverse flow alarm
ADDITIONAL EQUIPMENT	
<b>-R</b>	New alarm operation
<b>-M</b>	Fault memory monitor
<b>-AL</b>	Alarm transfer with return acknowledgement
<b>-WB</b>	Without internal buzzer
<b>-P24</b>	Power supply 24 VDC