

## AR-1-X Air flow transmitter



The AR-1-X is a small-sized transmitter for the measurement of air velocity.

Because of the small size of the sensor, it is easy to install to all places where space is limited. It can be used both in permanent and temporary measurements in many applications.

Sensor tube's diameter is only 3 mm, length 50 mm and it is connected to the electronic part with 1,5 m long cable.

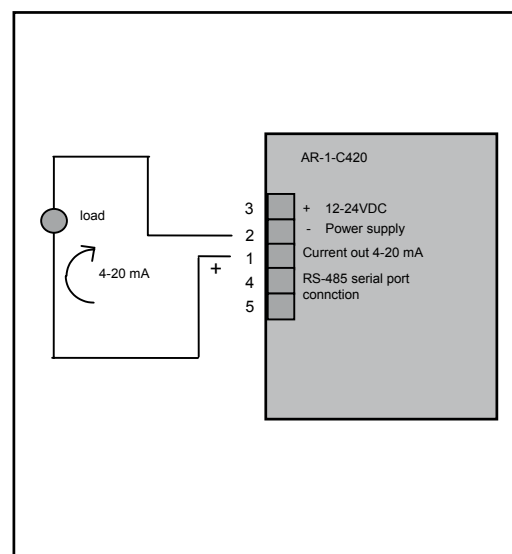
The transmitter electronics is mounted in IP 65 plastic case with row connectors inside (in picture with plug-in connector) and it has 4-20 mA or 0-10V output.

Supply voltage can be 12 or 24 VDC.

### TECHNICAL INFORMATION

Measurement range	0 -1... 15 m/s
Operating temp.	-20...+80 °C (sensor) 0...+60 °C (electronics)
Resolution	0.1 % of range
Temp. dependence	± 0,05%/ °C
Output	0-10V voltage output or 4-20 mA current input
Options	1) RS-485 serial for scaling, calibration and remote digital reading 2) Transmitter with digital display
Power supply	12-24VDC ±10%

### CONNECTIONS



### DIMENSIONS

